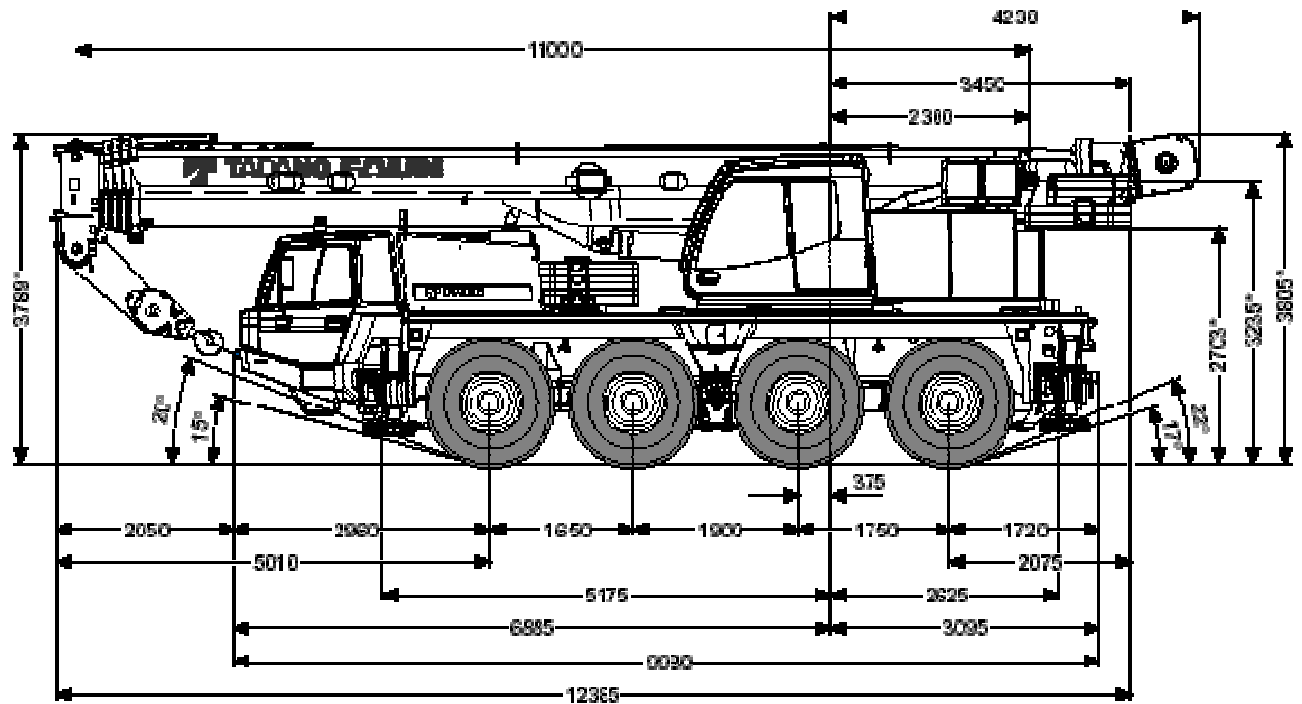
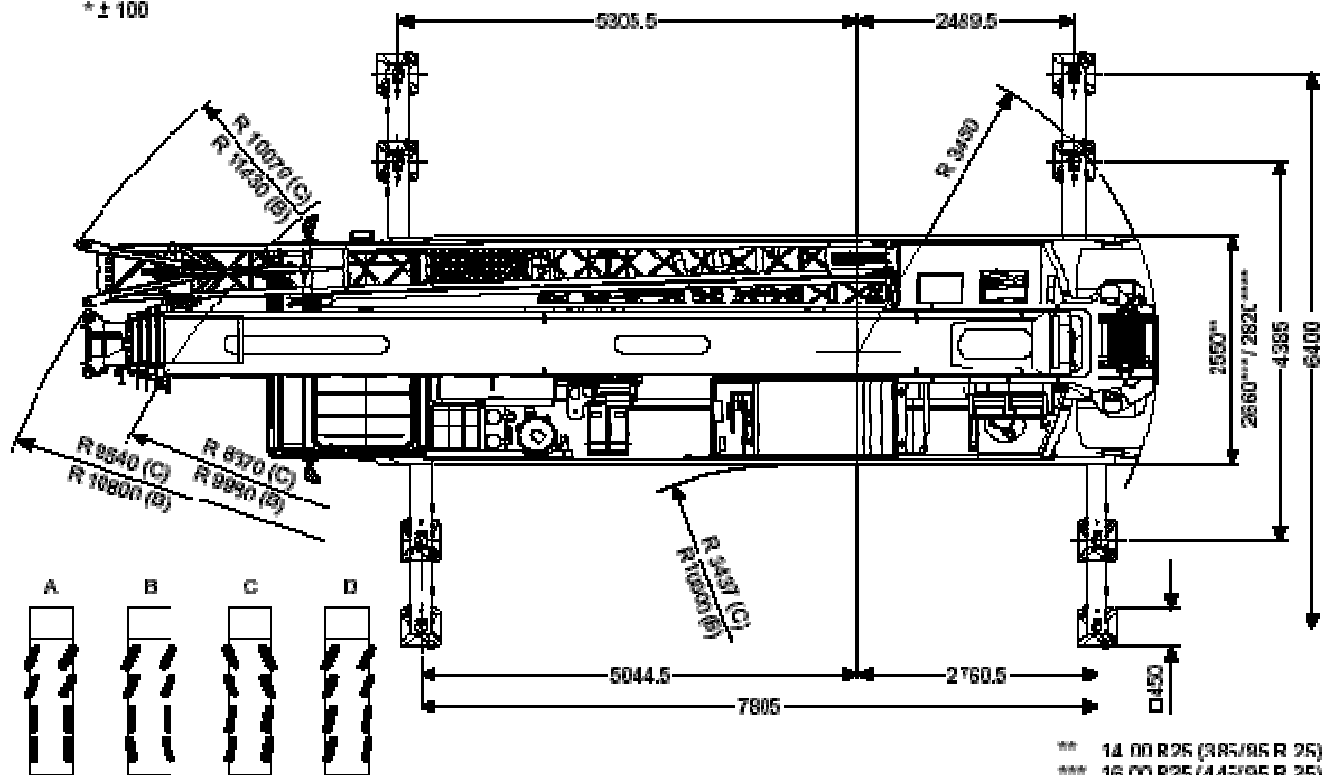


TADANO FAUN - ATF 65 G-4



± 100



$v > 25 \text{ km/h}$ $v < 25 \text{ km/h}$

** 14 00 R25 (385/85 R 25)
 *** 16.00 R25 (445/95 R 25)
 **** 20.5 R25 (525/80 R 25)